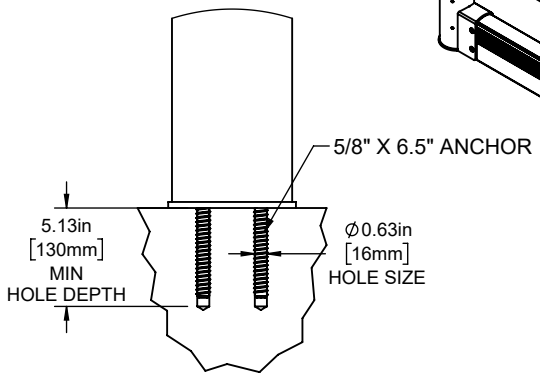
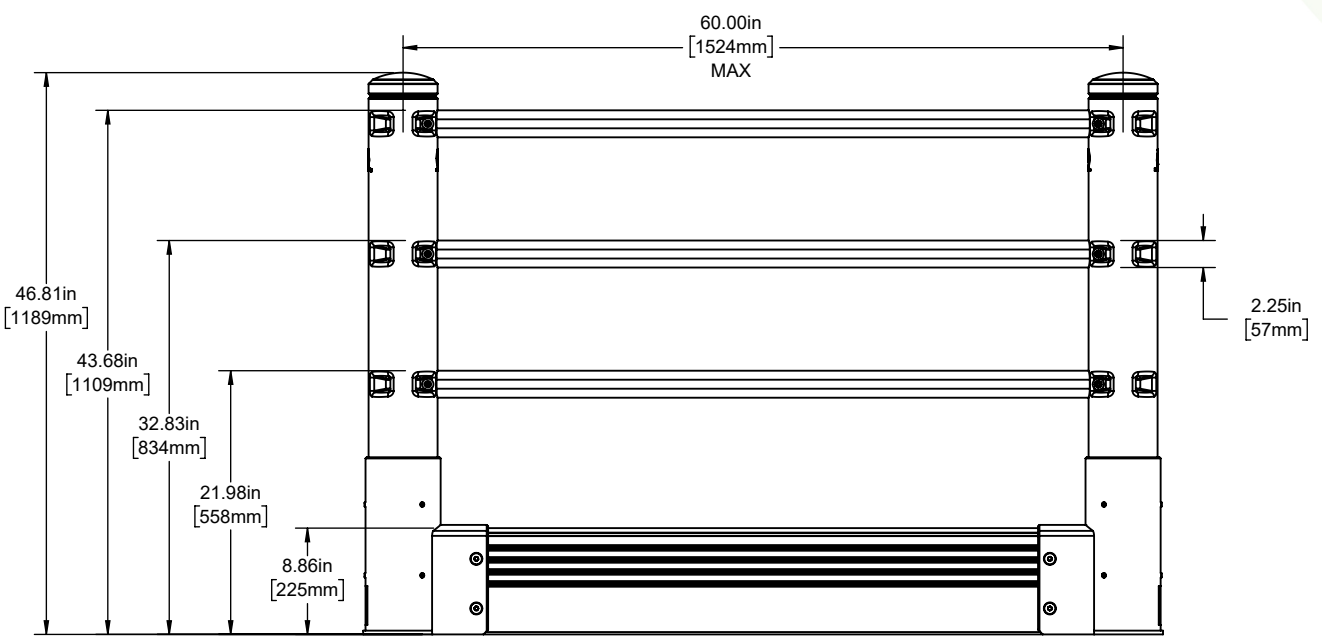
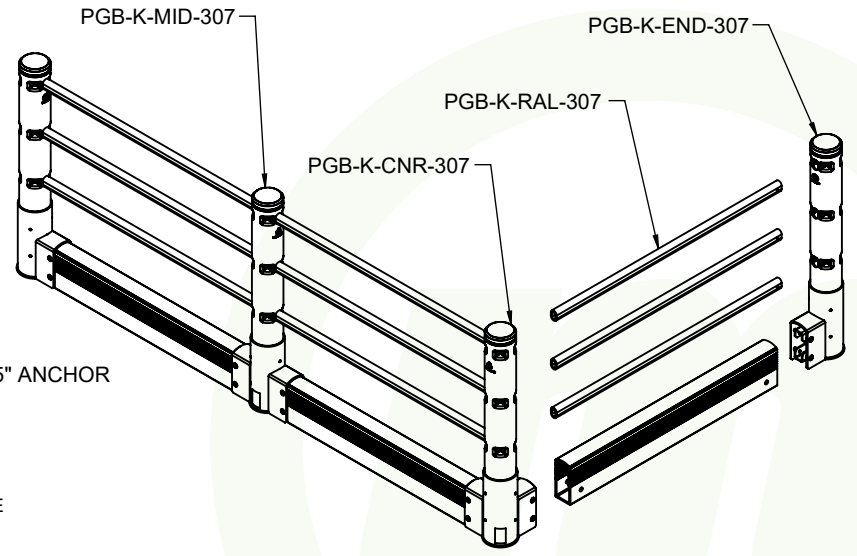


DETAIL HOLE PATTERN
SCALE 1 : 10



DETAIL D
SCALE 1 : 10



PGB-K-RAL-307
RAIL KIT

Customer Drawing
SafeStop Pedestrian Barrier
with GroundBarrier



McCue US
(978) 741-8500
CustomerCare@mccue.com

McCue UK
+44 1908-365-511
UKCServices@mccue.com

McCue China
+86-592-2200 790
ChinaOffice@mccue.com

mccue.com