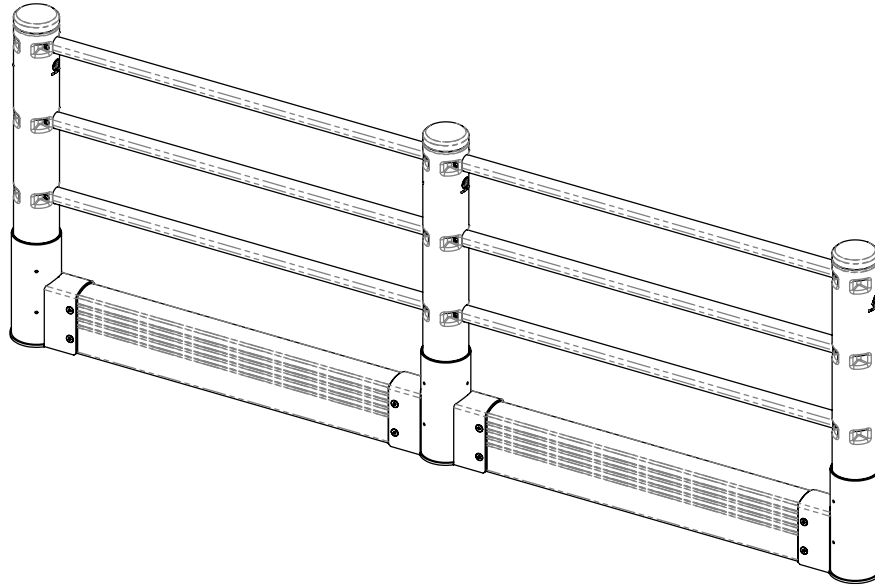


SafeStop Pedestrian Barrier with GroundRail

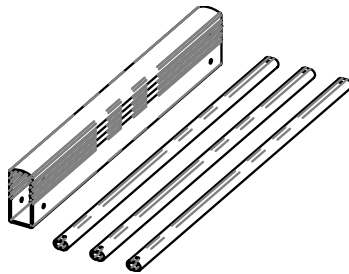
INSTALLATION INSTRUCTIONS



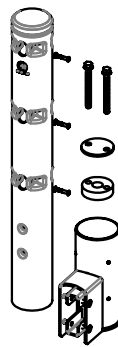
Components (varies by installation)



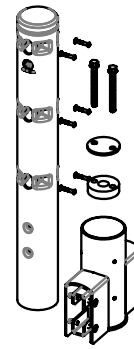
Anchors



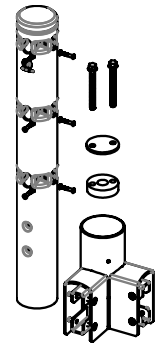
Rail Kit



End Post Kit

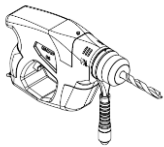


Mid Post Kit



Corner Post Kit

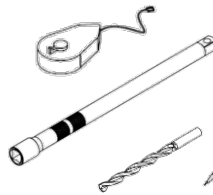
Tools Required



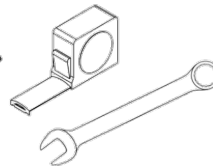
- Hammer Drill
- 5/8" Masonry Bit
- Pencil/Marker



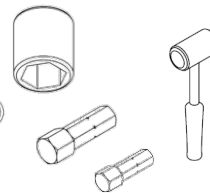
- Impact Driver
- 8mm Hex Bit
- 5mm Hex Bit



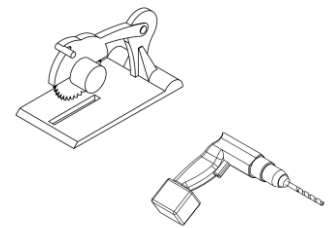
- Socket Extension
- 9/16" Socket & Wrench
- 15/16" Socket



- Chalk Line
- Rubber Mallet (opt.)
- Tape Measure



- Vacuum Cleaner
- Saw [for custom lengths]
- Drill with 10mm Bit [For custom lengths]



McCue Corporation
Danvers, Massachusetts, USA
+1 (800) 800 8503
customer@mcusercontent.com

McCue UK & Europe
Milton Keynes, United Kingdom
+44 (0)1908 365 511
uksales@mcusercontent.com

McCue Asia
迈客(厦门)有限公司
Xiamen, Fujian,
China
+86-592-2200790

mcusercontent.com

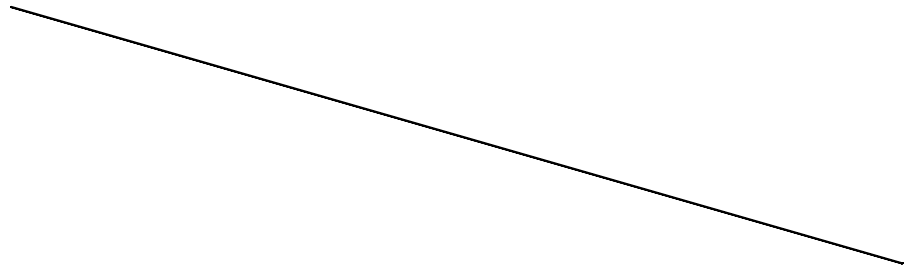
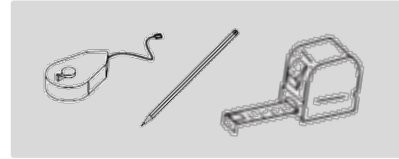




- PPE recommended: High visibility vest, Steel Toe Boots, Work Gloves, Ear Protection, Dust Mask, Eye Protection.
- Clean concrete dust by running the vacuum during drilling.

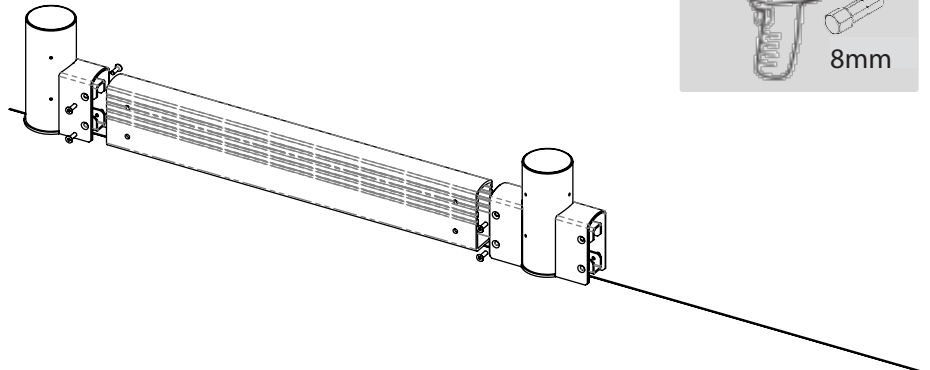
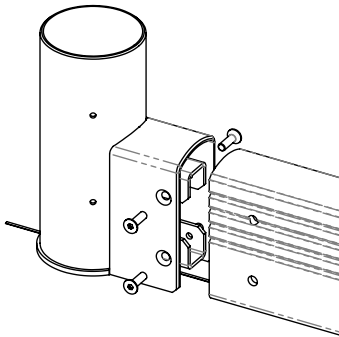
1

Snap chalk line where Barrier will be installed.



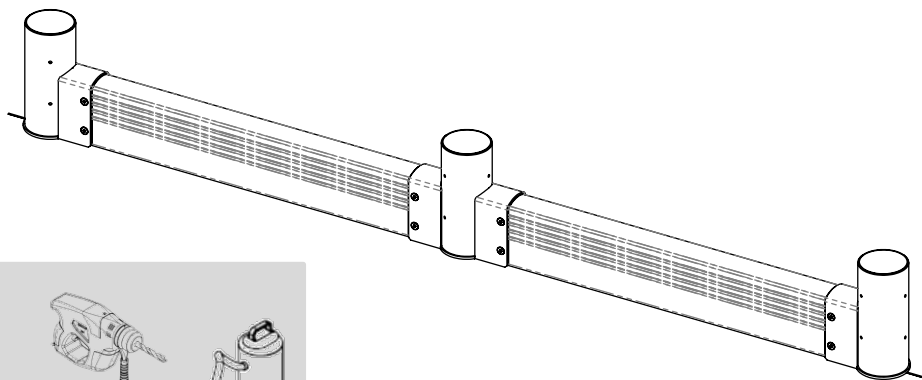
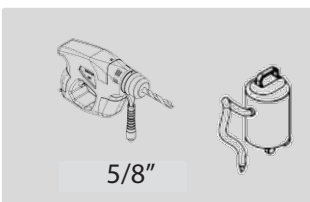
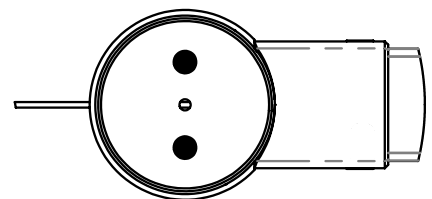
2

Insert GroundRail extrusion so holes align with those in posts. Fasten M12 screws through Posts and GroundRail extrusions.



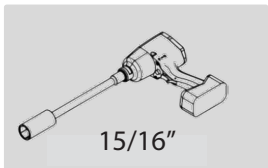
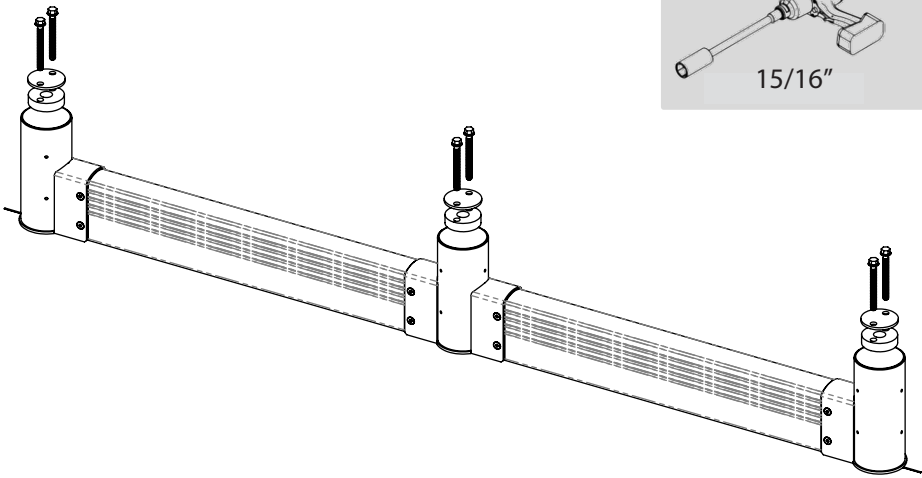
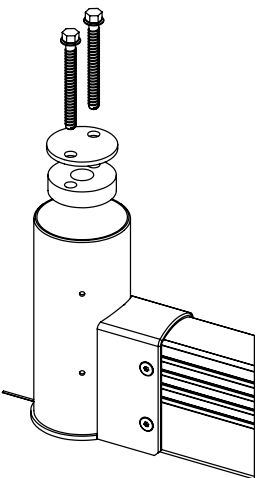
3

With all posts in position using the 5/8" masonry bit, drill the 2 anchoring holes through each post. Removing all drilling dust and debris.



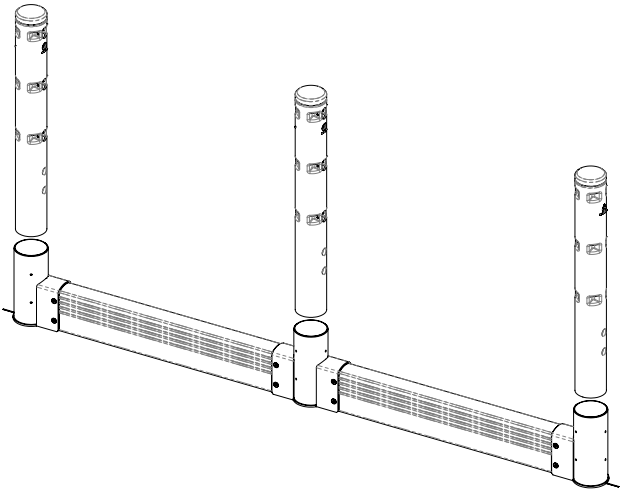
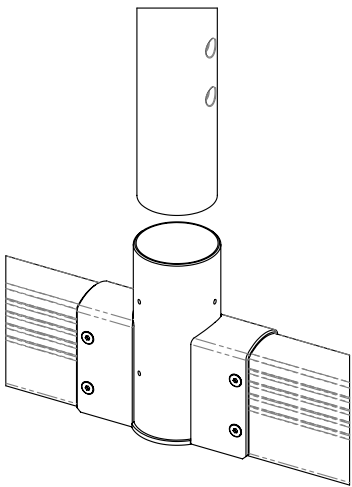
4

Fasten posts to floor using 5/8" Concrete anchors through washers and shock absorbers.



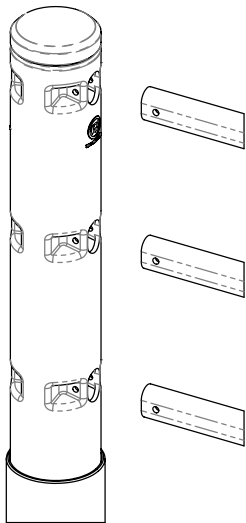
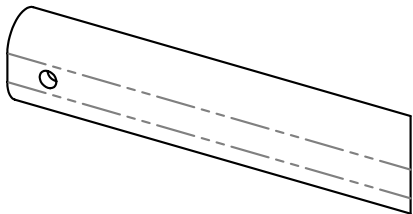
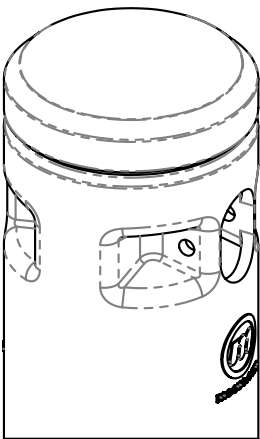
5

Insert correct configuration post into the correct GroundRail legs.



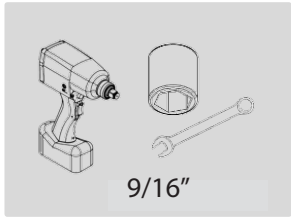
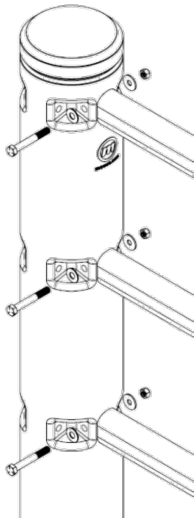
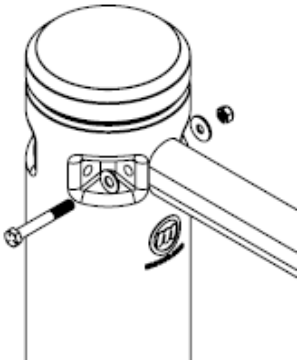
5

Insert each handrail into the posts and align the fastening holes



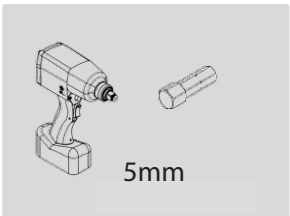
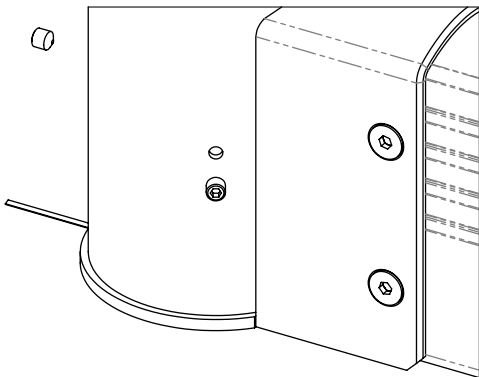
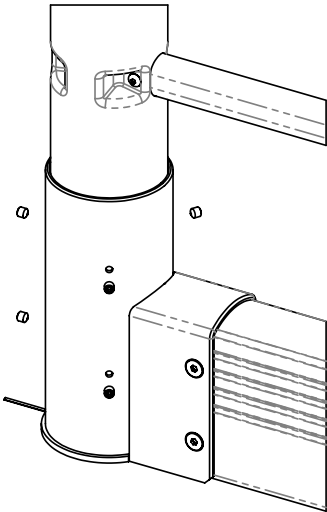
4

Secure the handrails to the posts with the 3/8"-16 bolts, washers and nuts.



5

Secure post to boot using the set screws through the GroundRail leg



5

Continue until final post is fully installed

