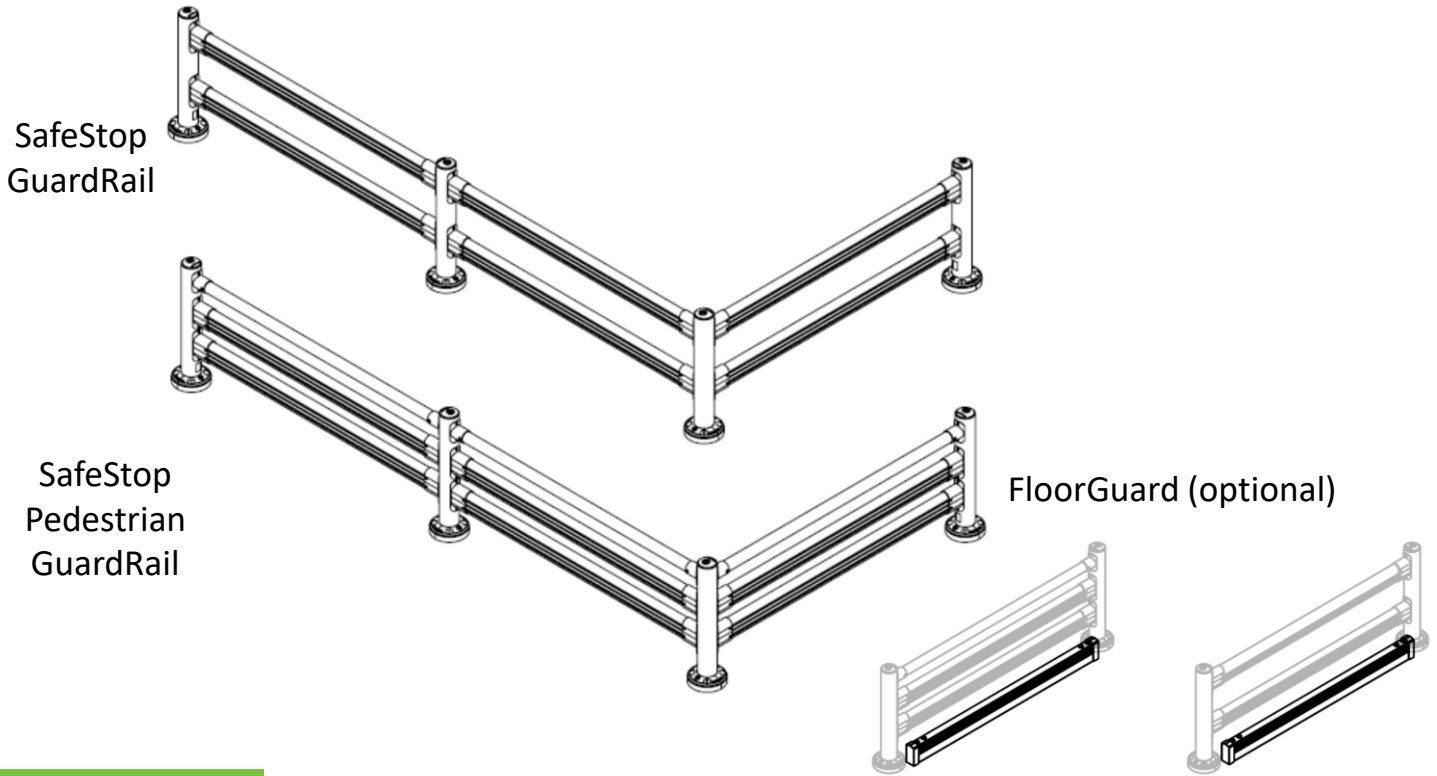


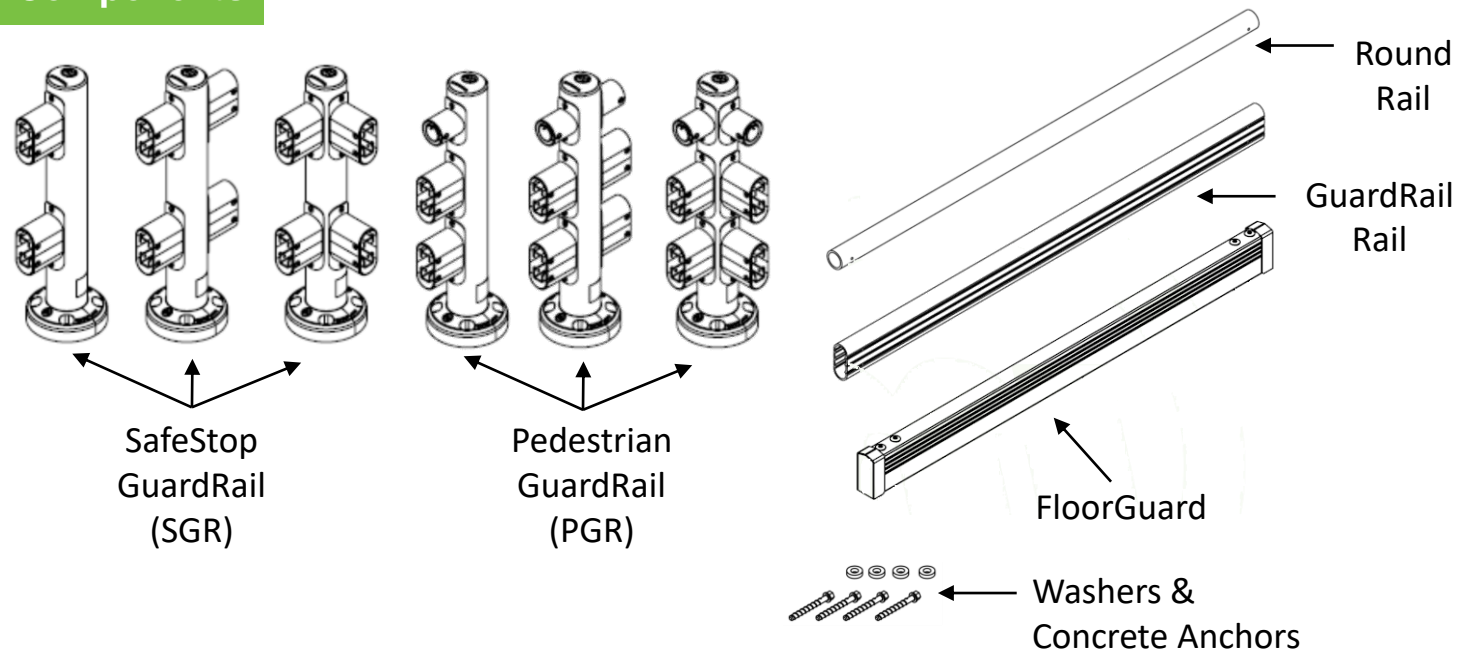
SafeStop GuardRail & Pedestrian GuardRail



INSTALLATION INSTRUCTIONS



Components



McCue Corporation
Danvers, Massachusetts, USA
+1 (800) 800 8503
customer@McCue.com

McCue UK & Europe
Milton Keynes, United Kingdom
+44 (0)1908 365 511
uksales@McCue.com

McCue Asia
迈客(厦门)有限公司
Xiamen, Fujian, China
+86-592-2200790

mccue.com

GuardRail & Pedestrian GuardRail

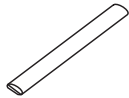


INSTALLATION INSTRUCTIONS

Required Tools



Tape Measure



Chalk



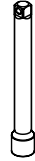
Chalk Line



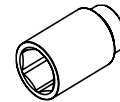
8mm Hex Bit



Impact Driver



Socket Extension



6-Point Socket
3/4" Socket (US)
17mm Socket (SI)



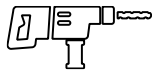
Vacuum



Drill



1/2" [12mm]
Drill Bit



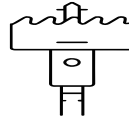
Hammer
Drill



1/2" [12mm]
Masonry Bit



Circular
Saw



1.875" [48mm]
Hole Saw
(FloorGuard Opt)



0.875" [24mm]
Drill Bit
(FloorGuard Opt)

Attention

PPE recommended: High visibility vest, Steel Toe Boots, Work Gloves, Ear Protection, Dust Mask, Eye Protection.

Clean concrete dust by running the vacuum during drilling.

Note

These instructions are for SafeStop GuardRail and Pedestrian GuardRail configurations as shown above. For simplicity, the Pedestrian Guardrail will be shown in images.

Configurations and components vary by install.



McCue Corporation
Danvers, Massachusetts, USA
+1 (800) 800 8503
customer-care@mccue.com

McCue UK & Europe
Milton Keynes, United Kingdom
+44 (0)1908 365 511
uksales@mccue.com

McCue Asia
迈客(厦门)有限公司
Xiamen, Fujian, China
+86-592-2200790

mccue.com



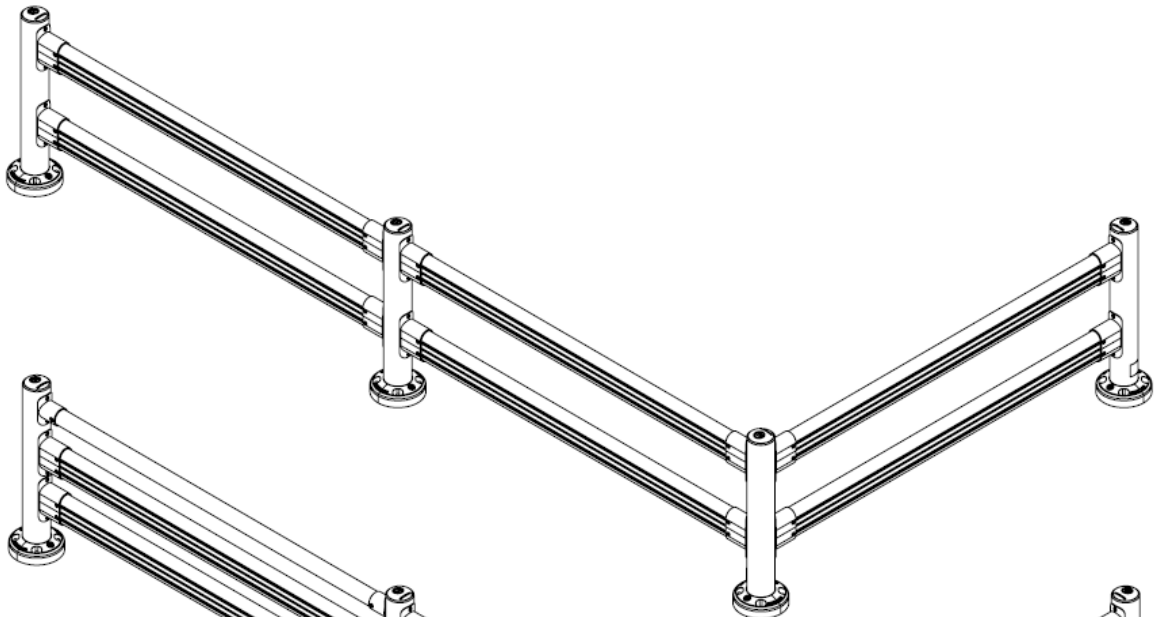


- PPE recommended: High visibility vest, Steel Toe Boots, Work Gloves, Ear Protection, Dust Mask, Eye Protection.
 - Clean concrete dust by running the vacuum during drilling.
-

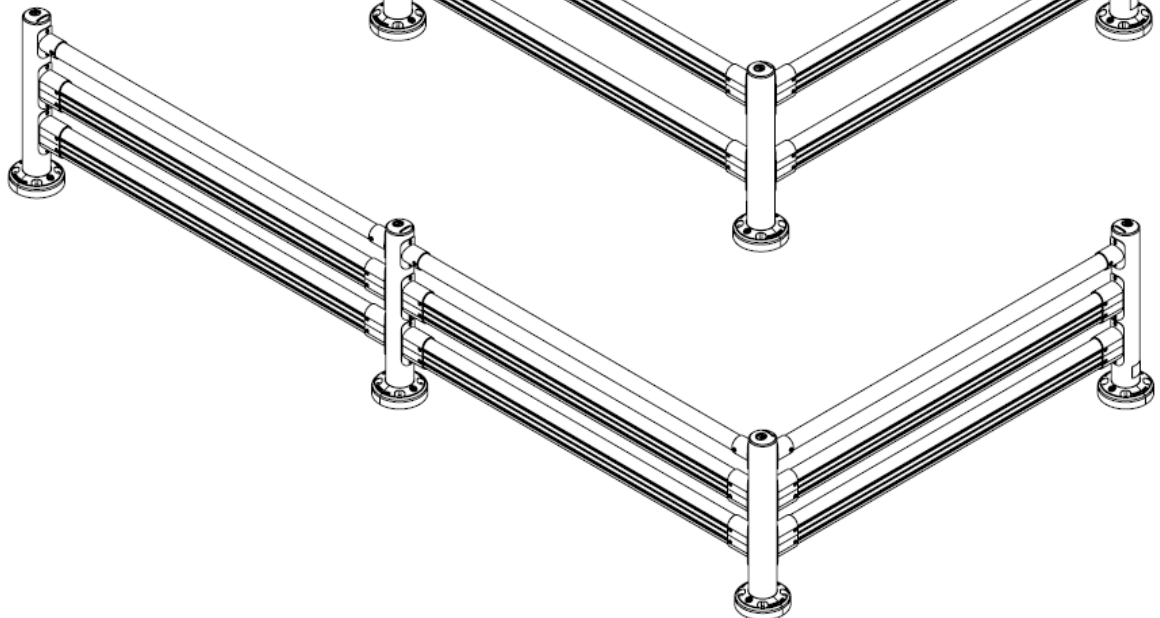
These instructions are for Standard GuardRail and Pedestrian GuardRail configurations as shown below. For simplicity, the Pedestrian Guardrail will be shown in all images.

Configurations and components vary by install.

SafeStop
GuardRail
(SGR)

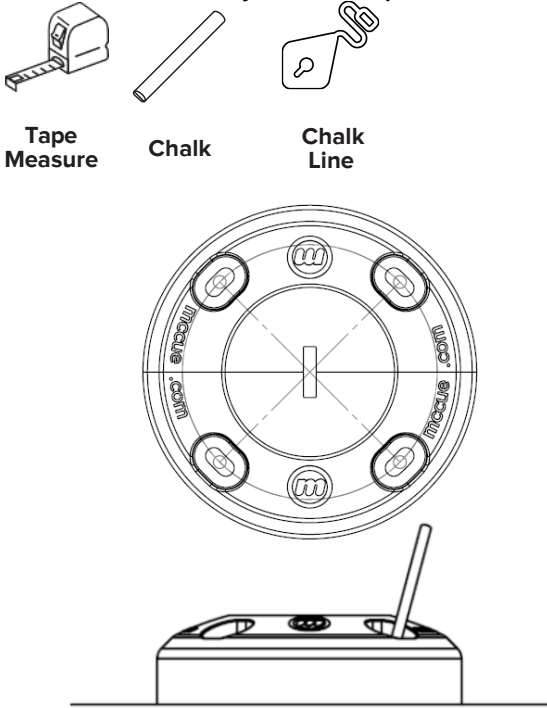


SafeStop
Pedestrian
GuardRail
(PGR)



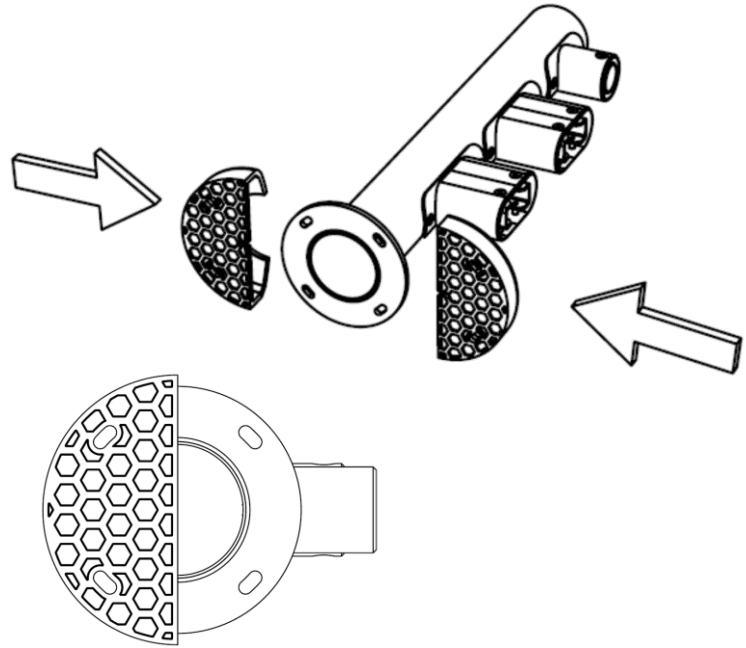
Step 1

Snap chalk line where GuardRail will be installed and use the Shock Absorber to mark holes for your first post.



Step 2

Install Shock Absorbers over baseplate.



Step 3

Custom Length Rails Only

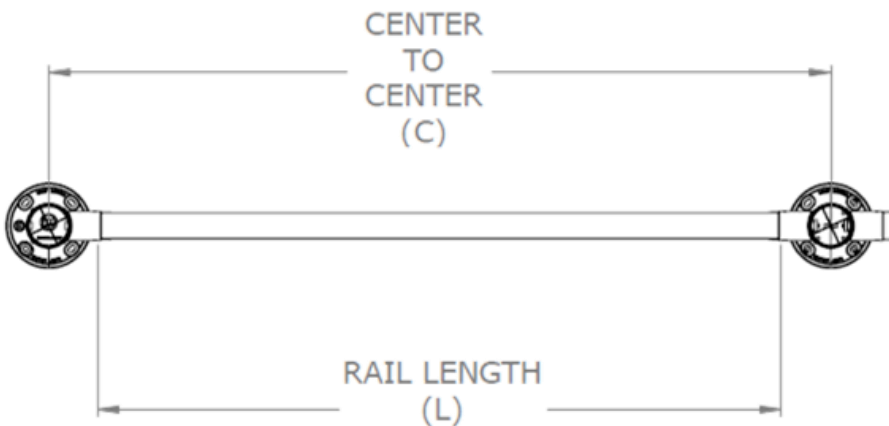
For standard length sections, move on to next step.

Measure and cut rails for custom length section.

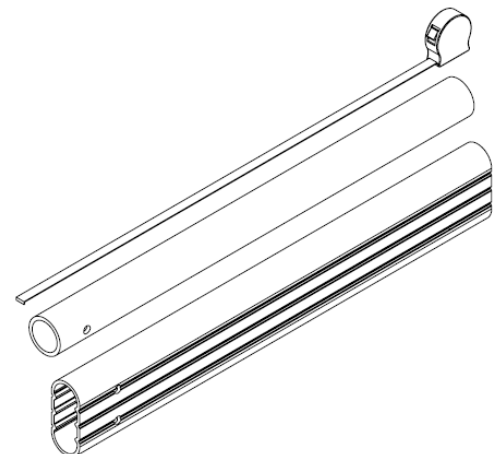
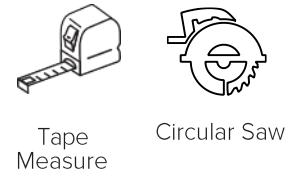
For SGR Installation, cut QTY 2 GuardRail Rails to length

For PGR installation, cut QTY 2 GuardRail Rails and QTY 1 Round Rail.to length

$$\text{Rail Length } L(\text{in}) = C(\text{in}) - 7.50\text{in}$$
$$L(\text{mm}) = C(\text{mm}) - 190\text{mm}$$

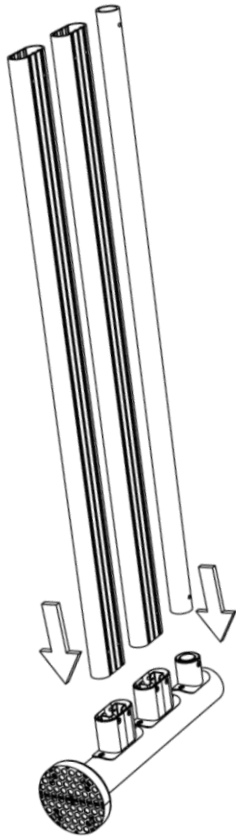


Top View



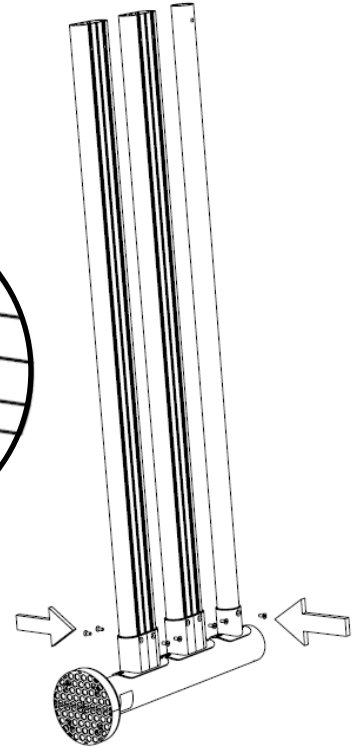
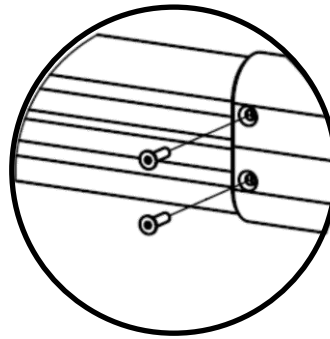
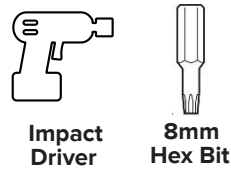
Step 4

Insert Rails so holes in rails align with holes in cups on post.



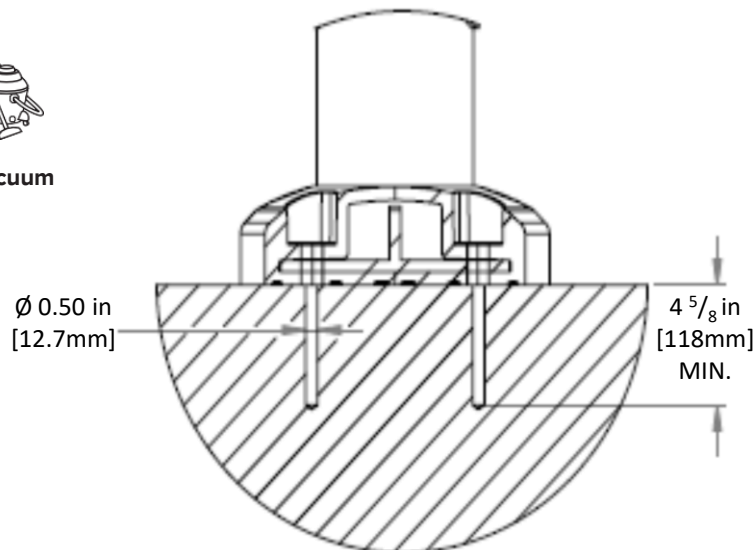
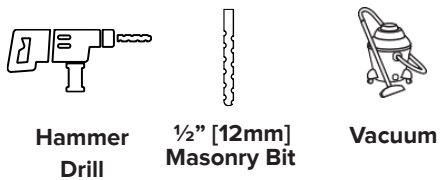
Step 5

Fasten M12 screws through post cups to secure rails.



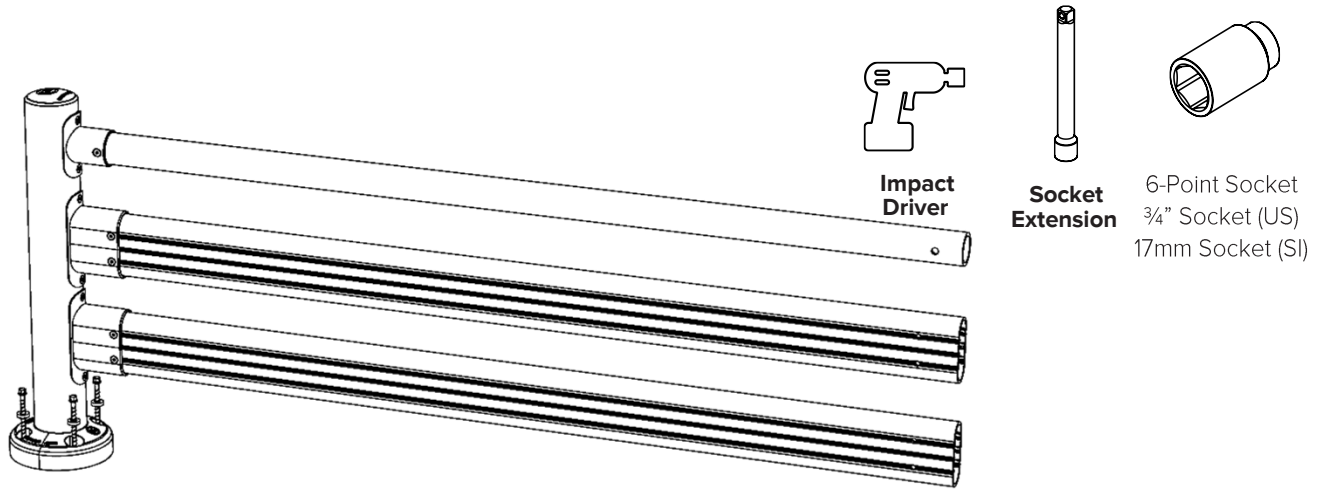
Step 6

Drill holes for first post using 1/2" [12mm] drill bit, 4-5/8" [118mm] minimum depth.



Step 7

Move post in to place. Fasten post to floor with 1/2" [12mm] concrete anchors through washers.



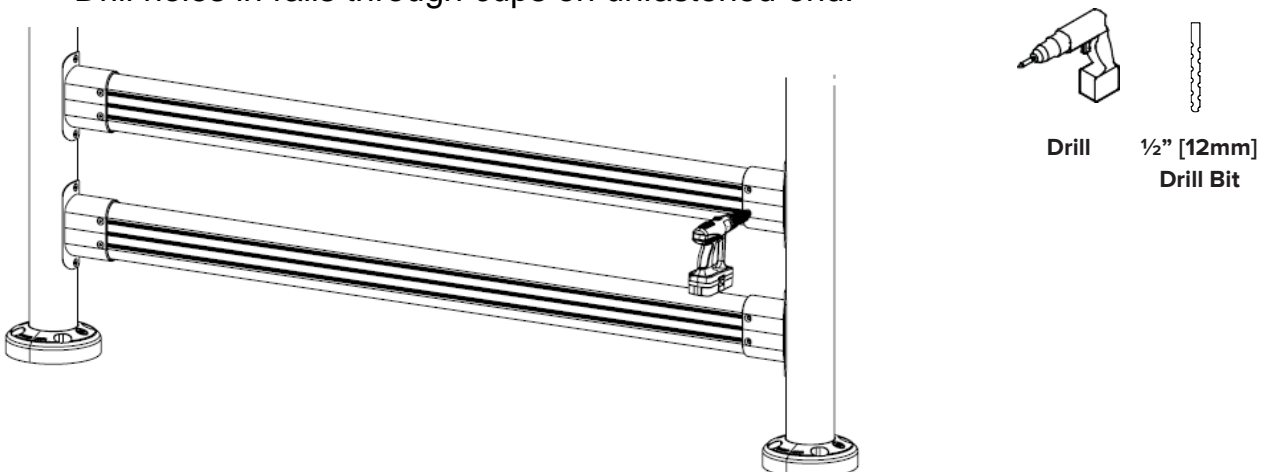
Step 8

Align next post. Insert rails into cups starting with the bottom cup, working upwards.



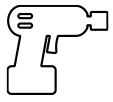
Step 9

For custom length rails
Drill holes in rails through cups on unfastened end.

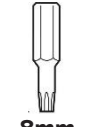


Step 10

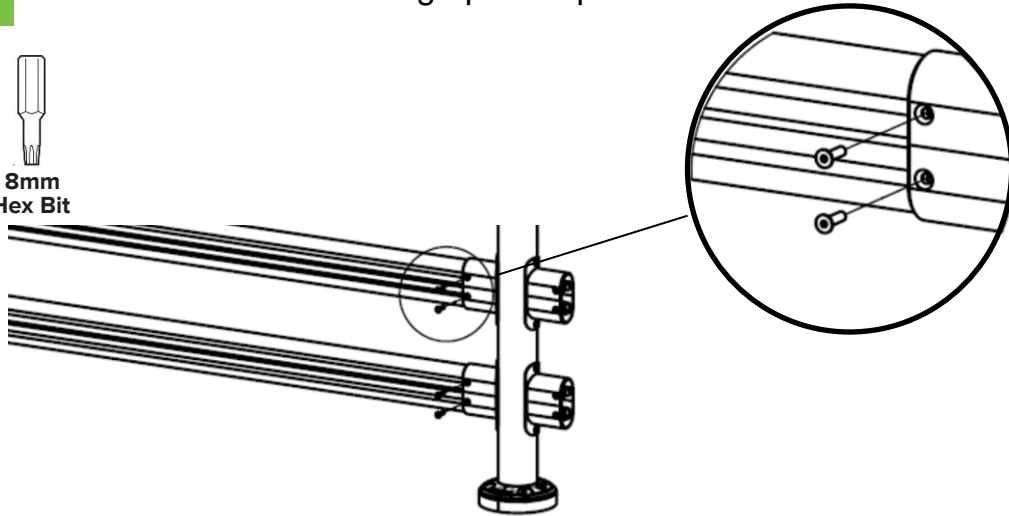
Fasten M12 screws through post cups to secure rails.



Impact Driver

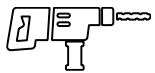


8mm Hex Bit

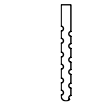


Step 11

Ensure post is in position and in line and then drill anchor holes through shock-absorber and baseplate, minimum 4-5/8" [118mm] hole depth.



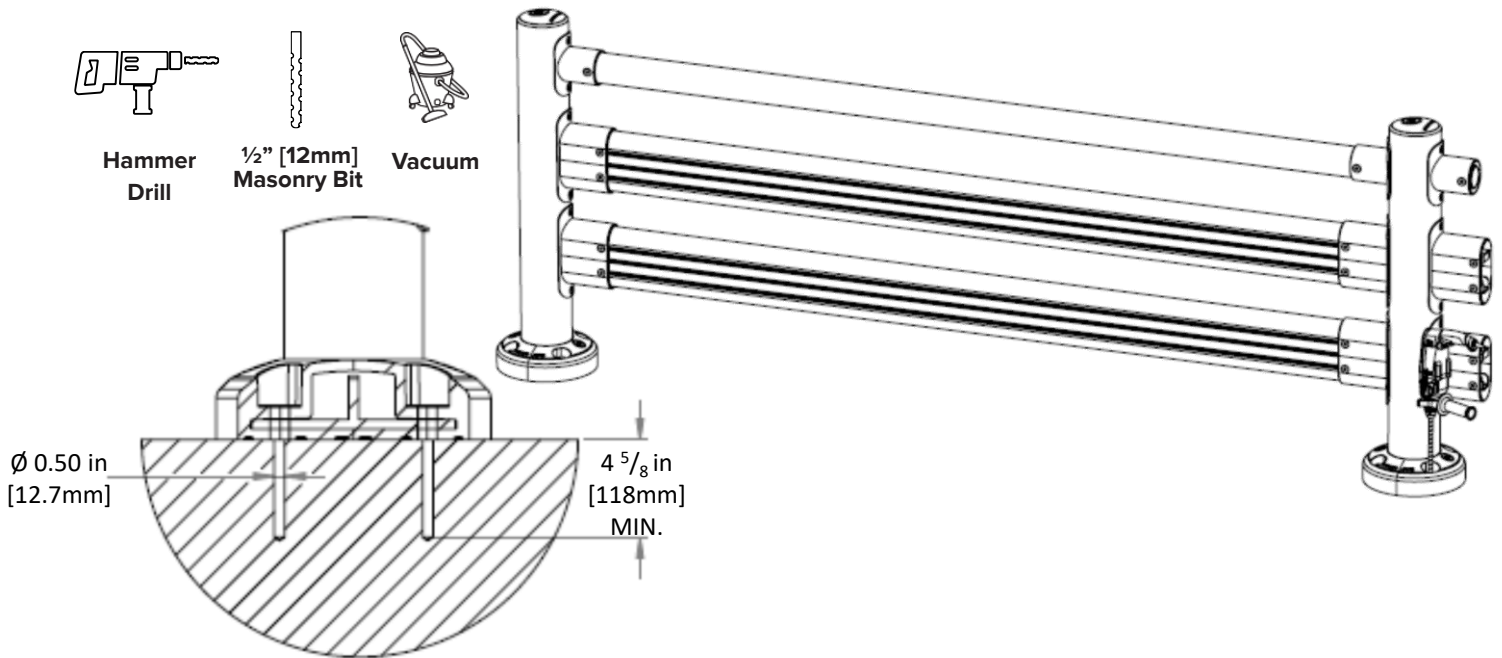
Hammer Drill



1/2" [12mm] Masonry Bit

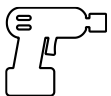


Vacuum



Step 12

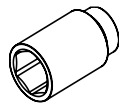
Fasten post to floor with 1/2" [12mm] concrete anchors through washers.



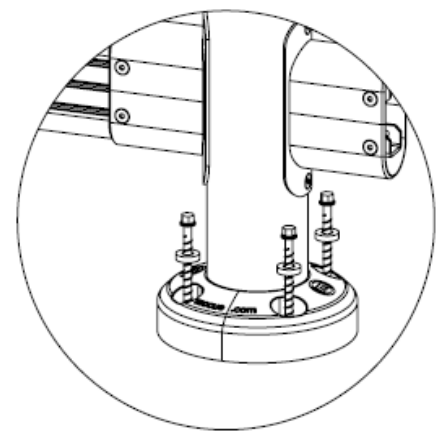
Impact Driver



Socket Extension

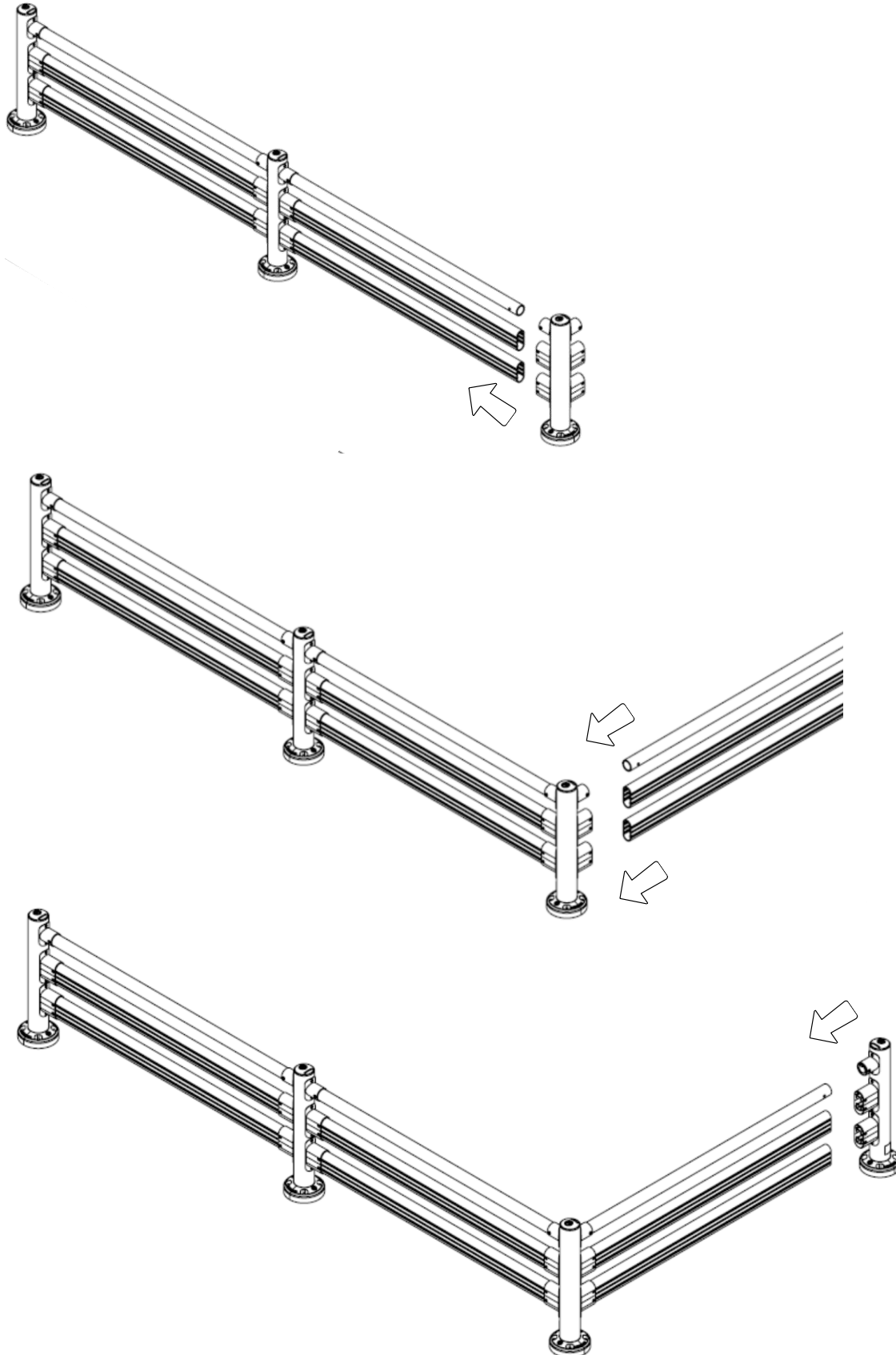


6-Point Socket
3/4" Socket (US)
17mm Socket (SI)



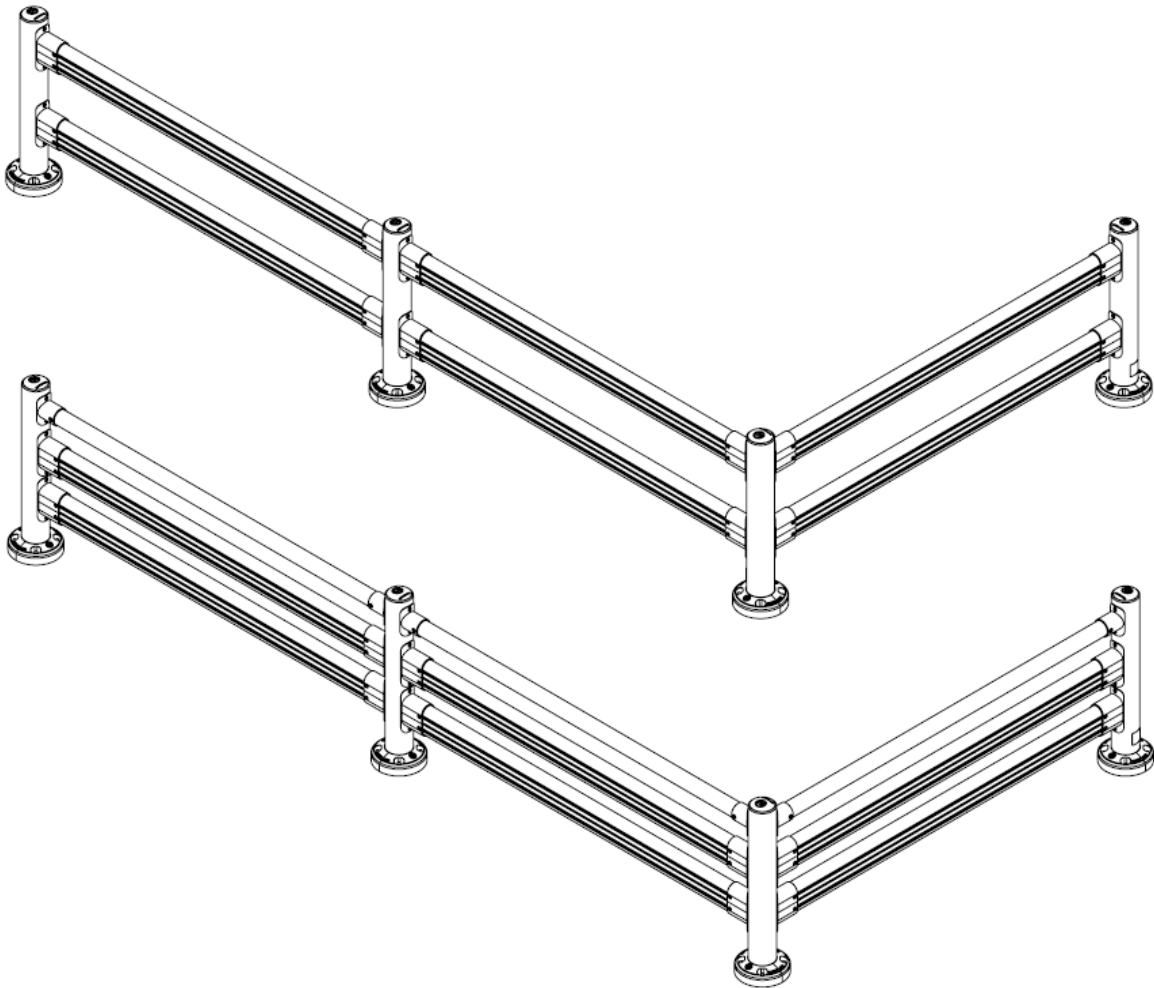
Step 13

Continue with steps 8-12 until final post is fully installed



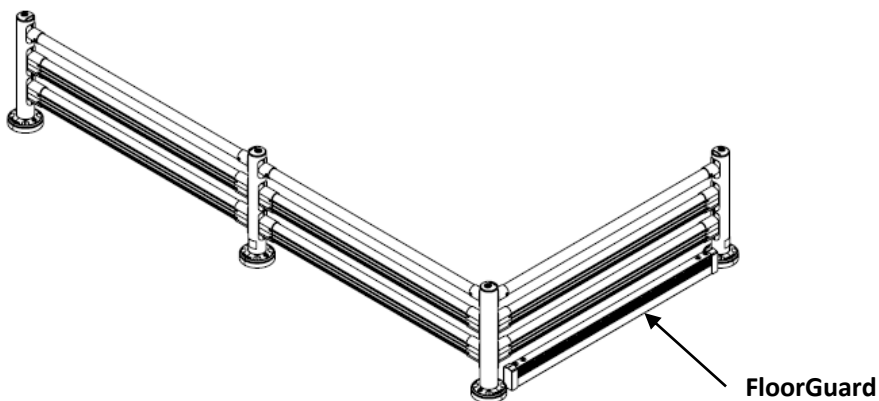
Step 12

GuardRail Installation Complete.



Optional

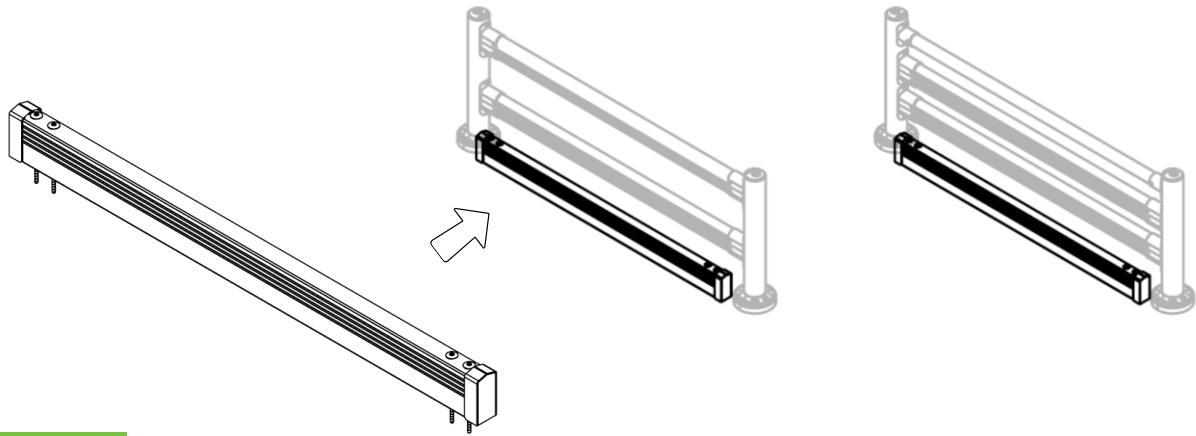
Continue to FloorGuard Installation Instructions next for accessory install method.



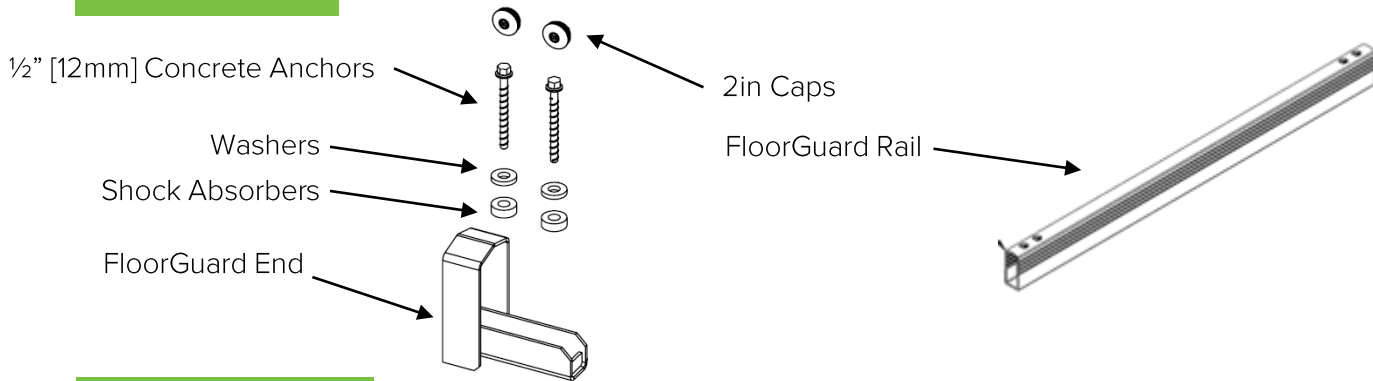
GuardRail with FloorGuard



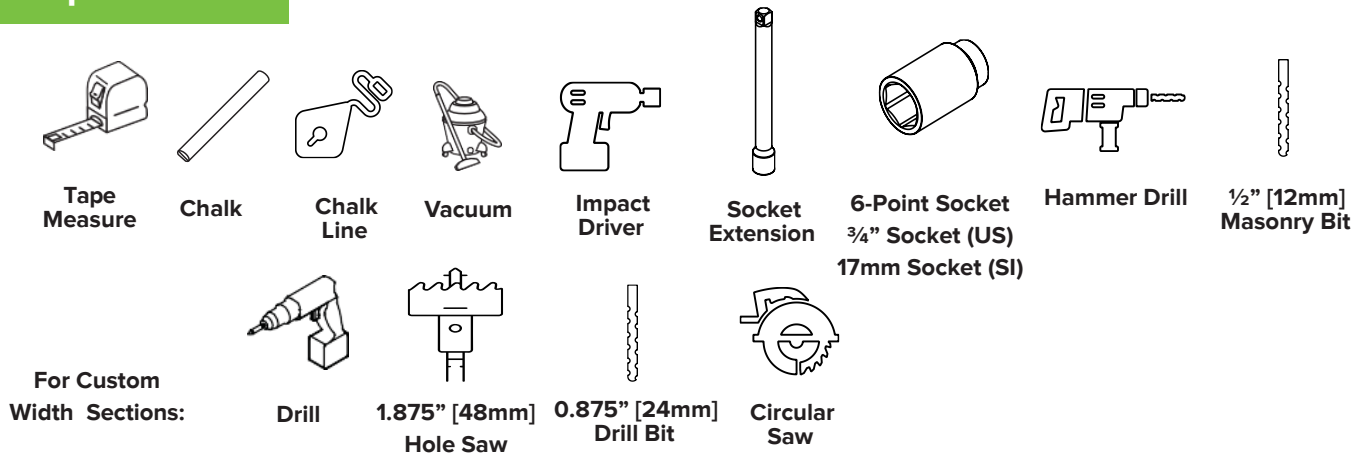
INSTALLATION INSTRUCTIONS



Components



Required Tools



McCue Corporation
 Danvers, Massachusetts, USA
 +1 (800) 800 8503
customer-care@mccue.com

McCue UK & Europe
 Milton Keynes, United Kingdom
 +44 (0)1908 365 511
uksales@mccue.com

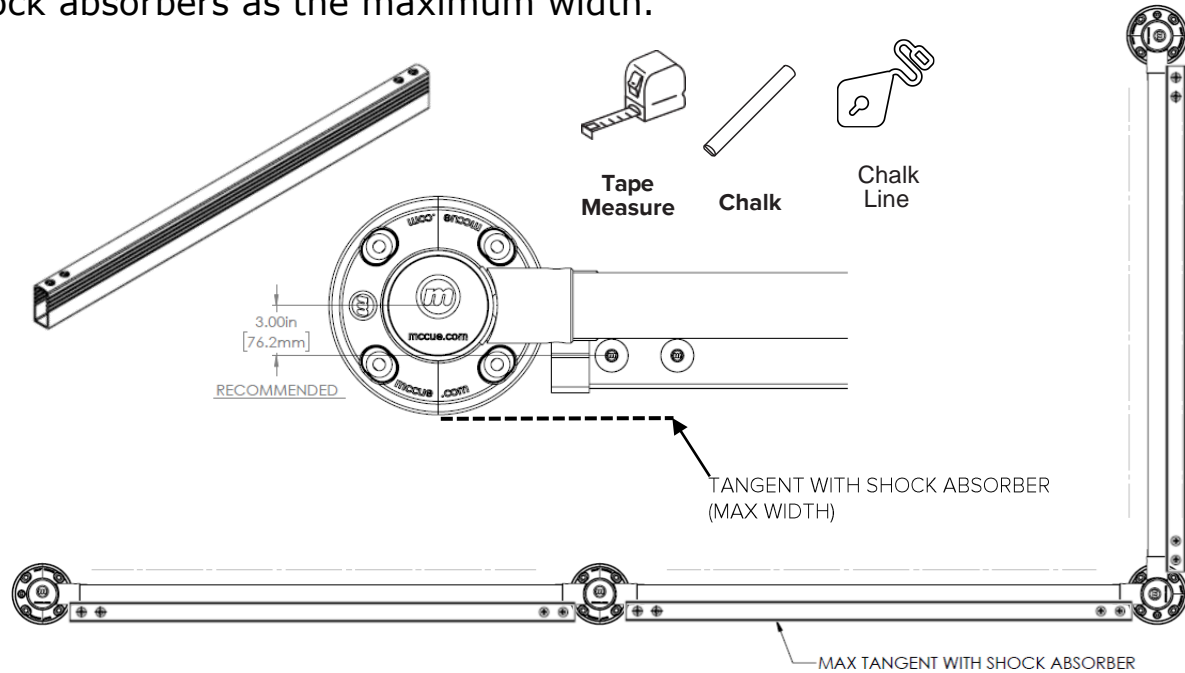
McCue Asia
 迈客(厦门)有限公司
 Xiamen, Fujian, China
 +86-592-2200790

mccue.com



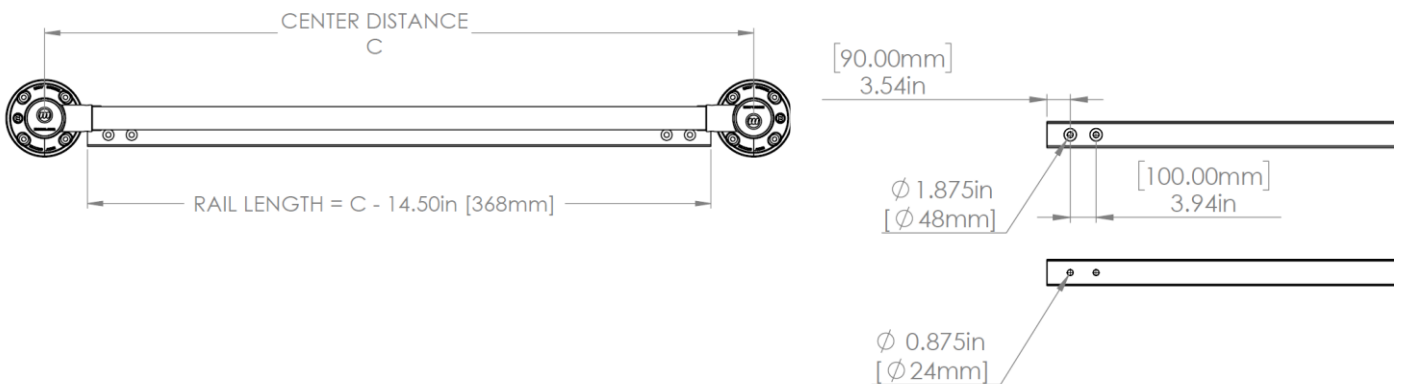
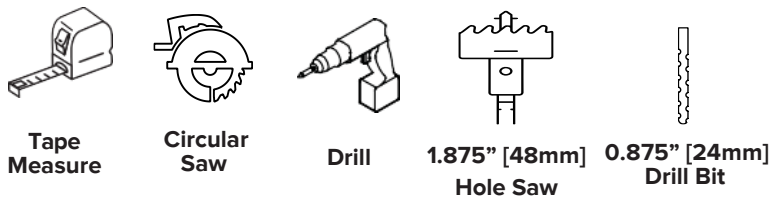
Step B-1

Move FloorGuard rails into place with the front face tangent with the shock absorbers as the maximum width.



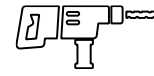
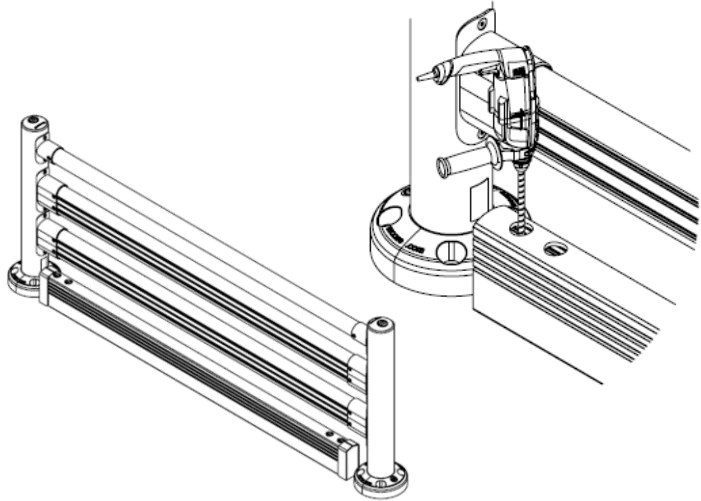
Step B-2

For sections less than 10' [3048mm] center-to-center, cut FloorGuard rail to length, 14.50in [368mm] shorter than center-to-center distance. Re-drill holes on cut end per the dimensions shown below. For standard length sections continue to Step B-3.



Step B-3

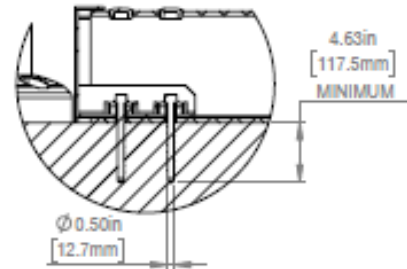
Ensure rails are in place tangent to shock absorbers. Drill 2 holes per side in the concrete through FloorGuard rail. Vacuum clean.



Hammer Drill
With 1/2"
[12mm]
Masonry Bit



Vacuum



Step B-4

Insert shock absorbers and washers concentric with FloorGuard anchor holes inside FloorGuard End (Figure A).
Insert tab of FloorGuard ends into ends of rails until rail holes are concentric with anchor holes (Figure B).
Fasten concrete anchors through FloorGuard End anchor holes to the floor and cap holes (Figure C & D).

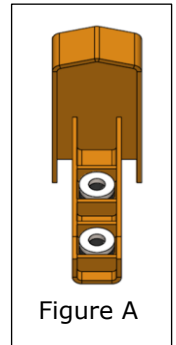


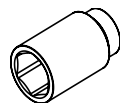
Figure A



Impact
Driver



Socket
Extension



6-Point Socket
3/4" Socket (US)
17mm Socket (SI)

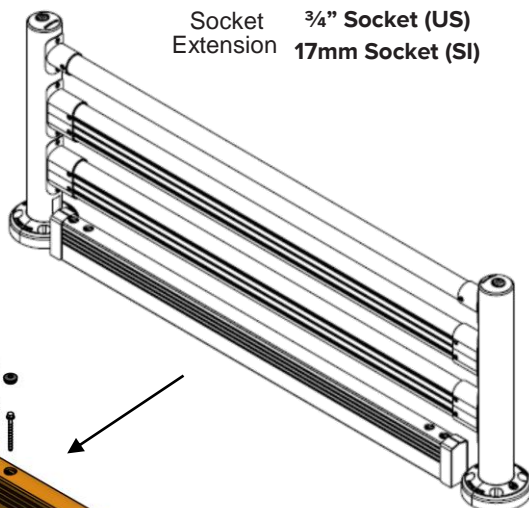


Figure C

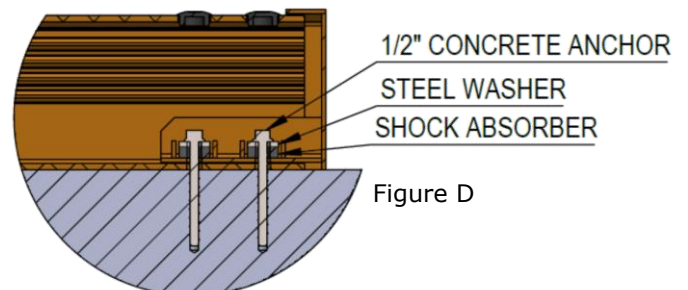


Figure D

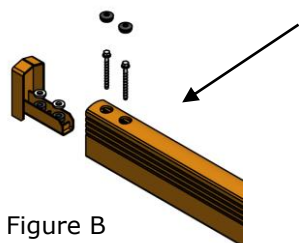
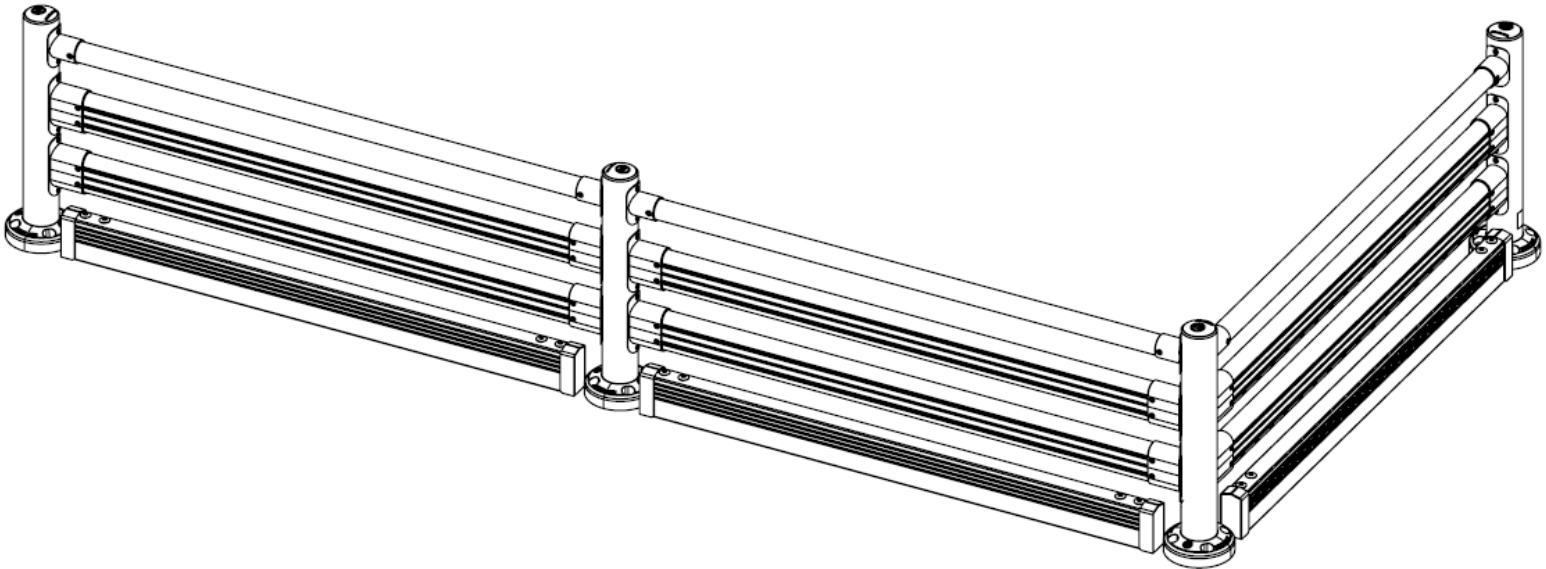
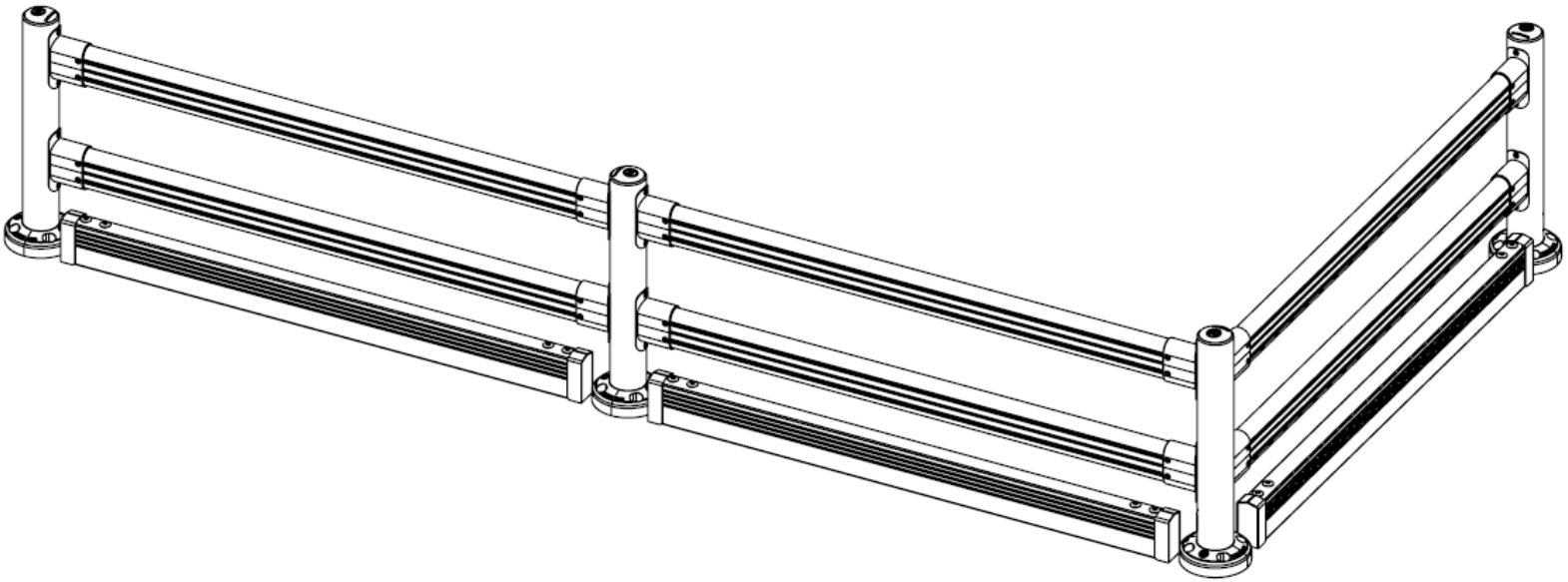


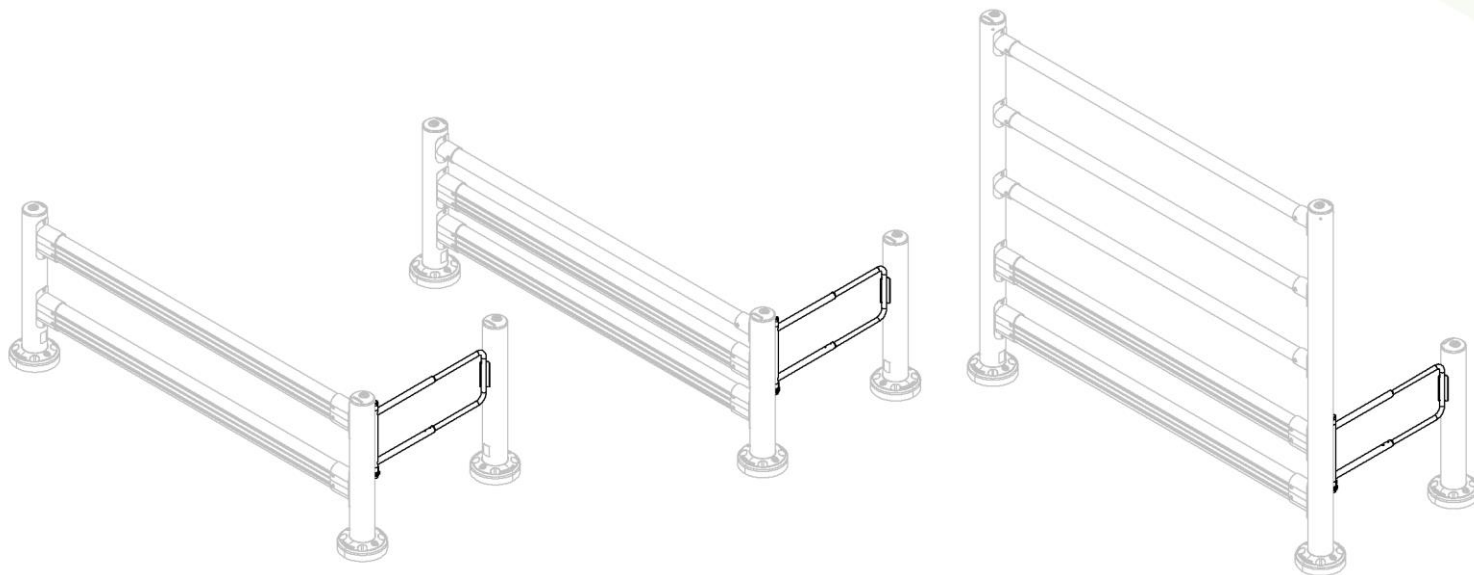
Figure B

Complete

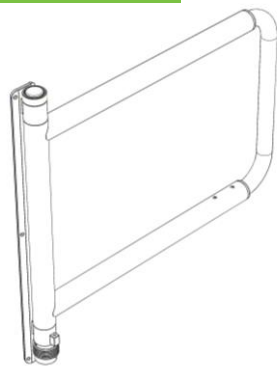


SafeStop Pedestrian Swing Gate Add On Kit

INSTALLATION INSTRUCTIONS



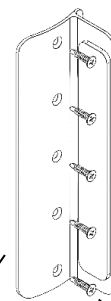
Components



GATE



#12 X 1" HEX HEAD
SELF DRILLING SCREWS



STOPPER

#8 X 3/4" PHILLIPS HEAD
SELF DRILLING SCREWS

Required Tools



#14(0.1820")
Drill Bit



#29(0.1360")
Drill Bit



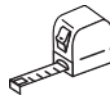
5/32"
Allen Key



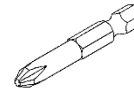
Pencil



Razor
Knife



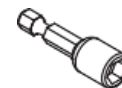
Tape
Measure



Phillips
Bit No.2



Drill or
Impact



Nut Driver
With 5/16" Bit



McCue Corporation
Danvers, Massachusetts, USA
+1 (800) 800 8503
customercare@mccue.com

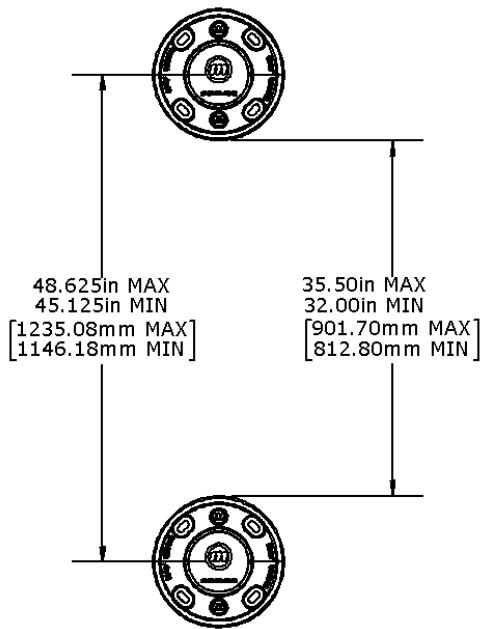
McCue UK & Europe
Milton Keynes, United Kingdom
+44 (0)1908 365 511
uksales@mccue.com

McCue Asia
迈客(厦门)有限公司
Xiamen, Fujian, China
+86-592-2200790

mccue.com

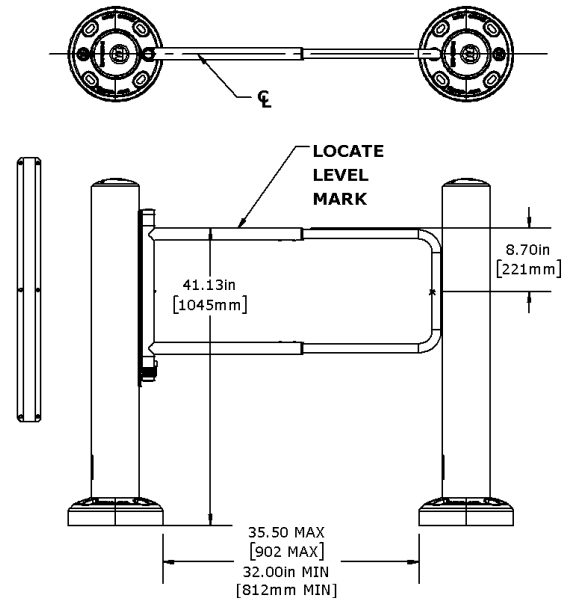


Step 1



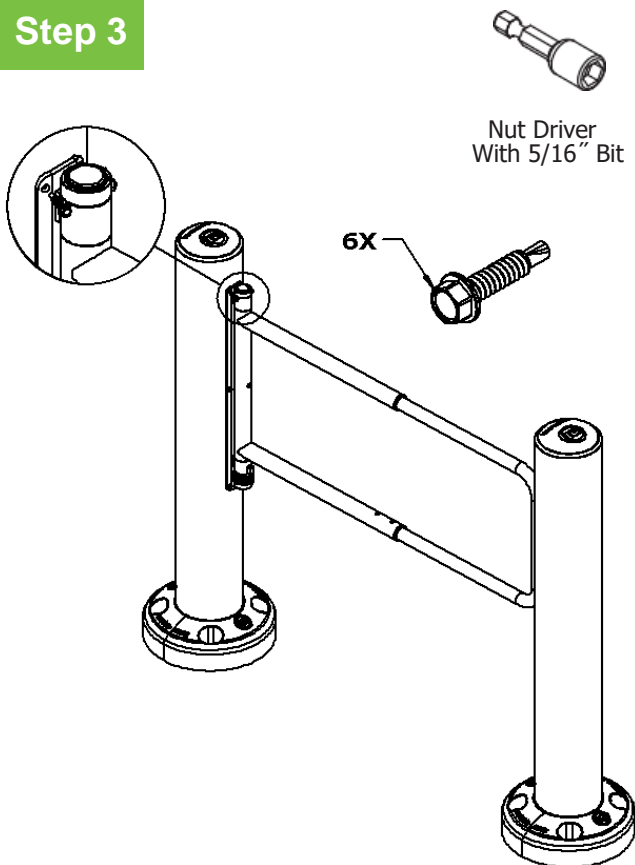
Install SafeStop Products with acceptable spacing as shown above. Refer to product specific installation instructions for Installation procedures.

Step 2



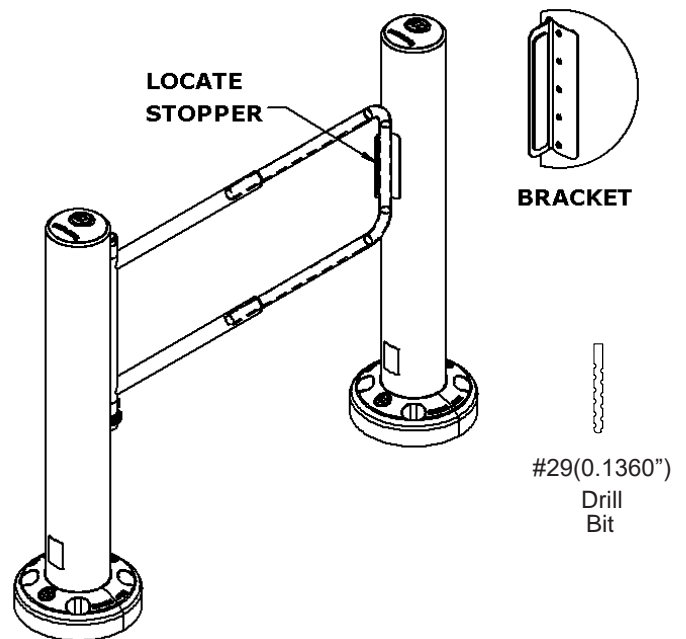
Locate gate on center and mark all the mounting hole locations.

Step 3



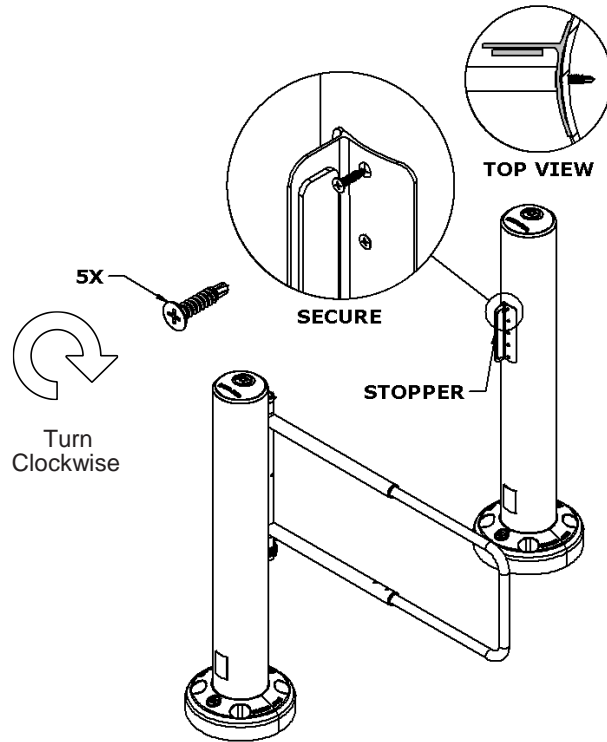
Secure using 5/16" Nut driver bit until flush. Do not over torque.

Step 4



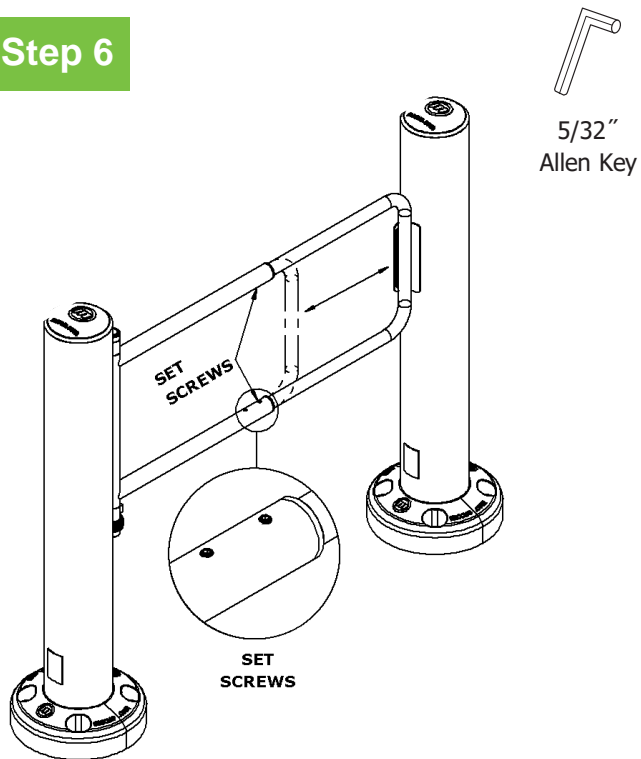
Mark hole locations and drill pilot holes using #29 drill bit.

Step 5



Secure using a drill with a Phillips bit until all screws are flush. Do not over torque.

Step 6



Telescoping arm can be adjusted by loosening set screws. Secure arm by tightening all set screws.

